

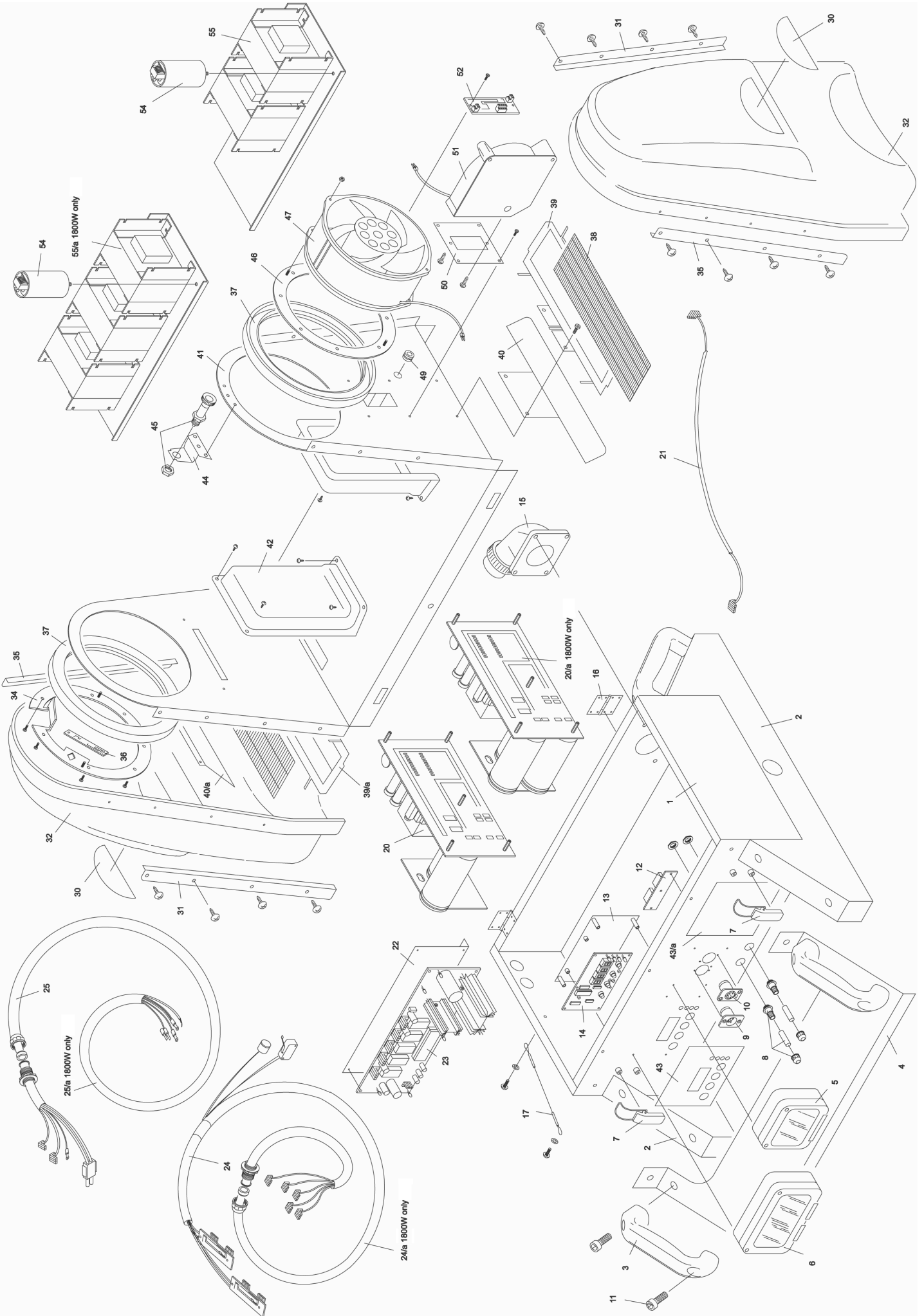
SIRIO RAY 1200/1800

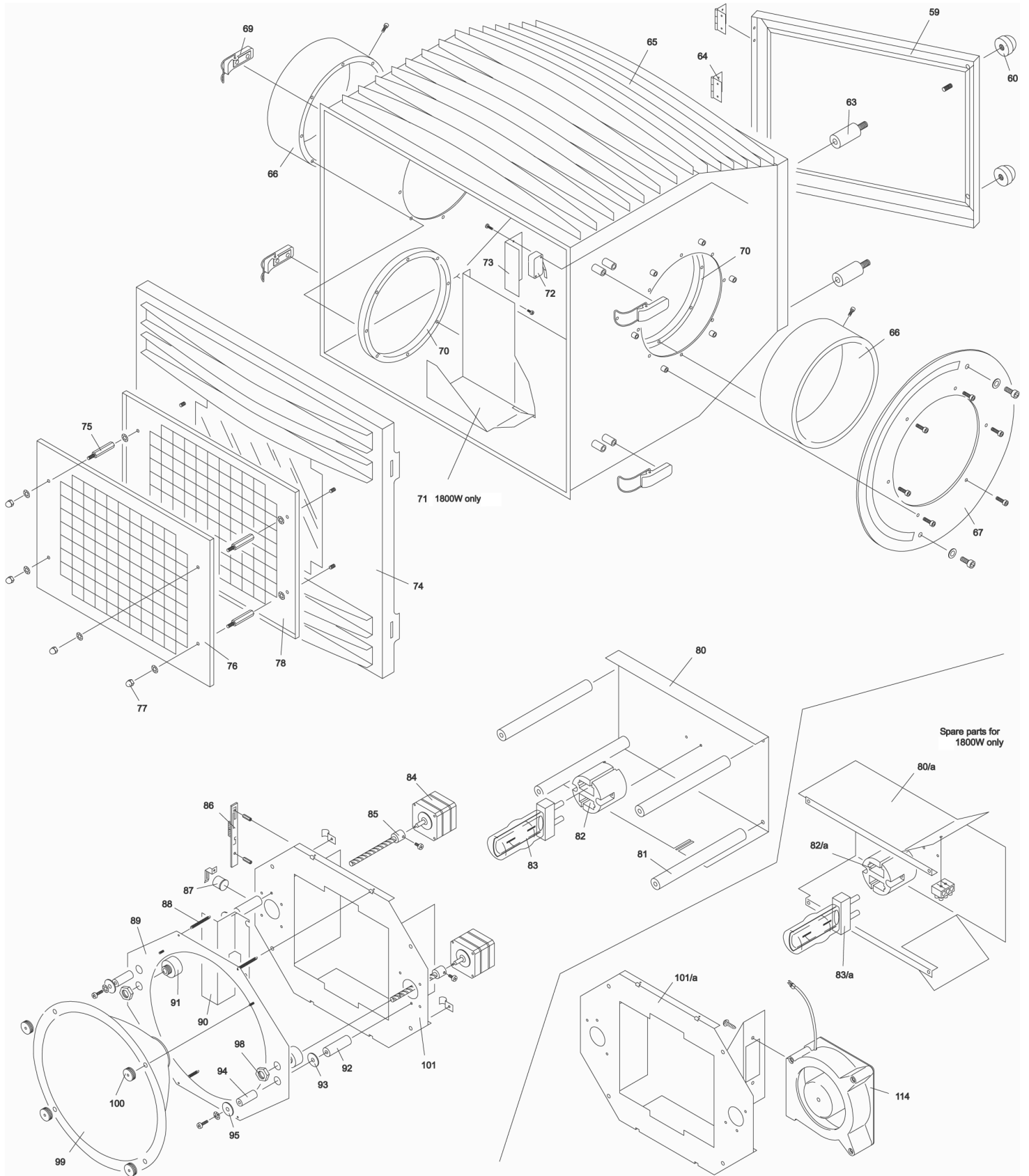
TECHNICAL REFERENCE

- Code 02B014 SIRIO RAY 1200
- Code 02B015 SIRIO RAY 1800

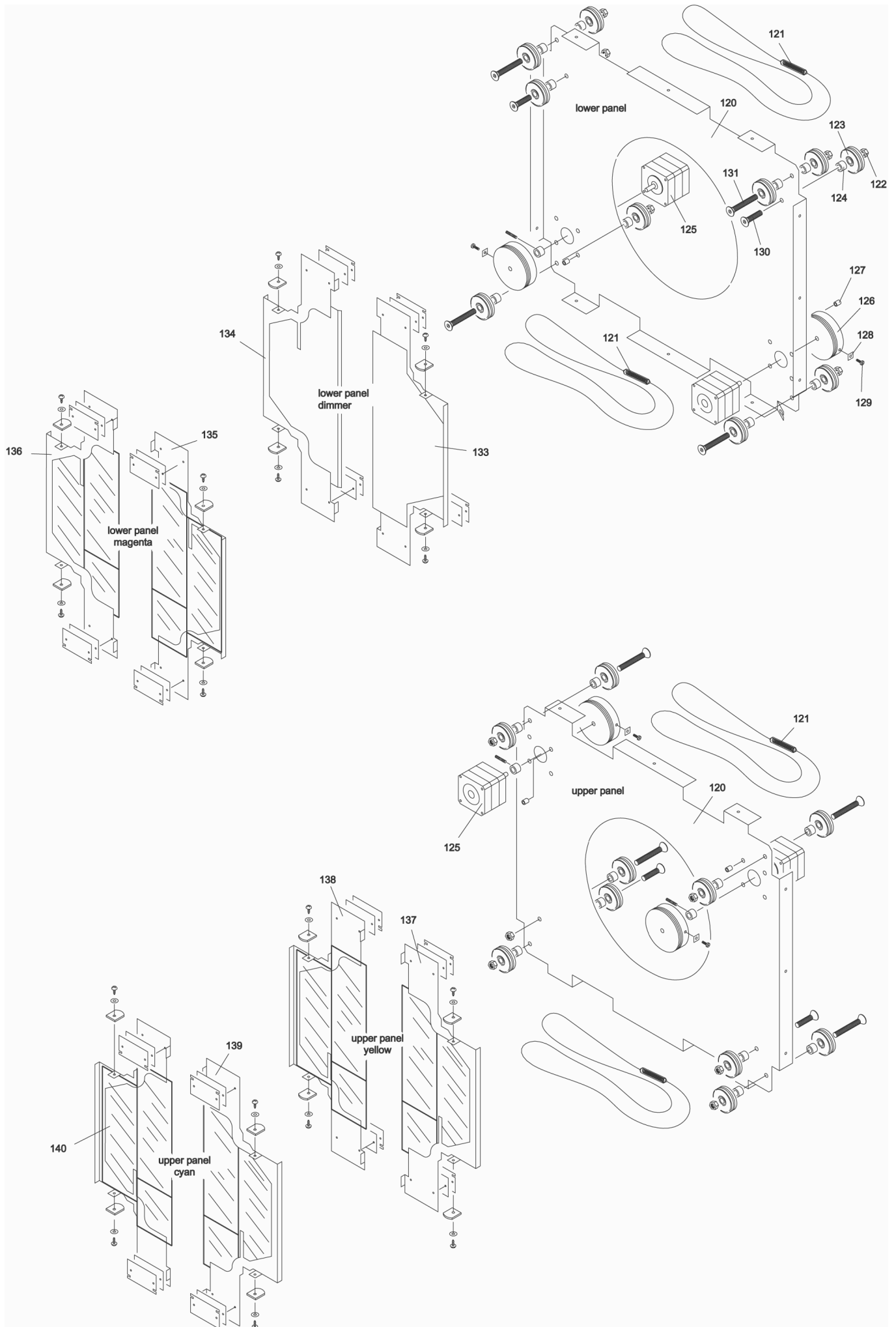
N°	PARTS DESCRIPTION	CODE NUMBER	N°	PARTS DESCRIPTION	CODE NUMBER
1	Base box	SDM 00030060	67	Degrees wheel	SDM 00030025
2	Base support	SDM 00038887	69	Spring lock	SDM 80900010
3	Handle	SDM 90100043	70	Friction	SDM 80320032
4	Base panel	SDM 00030014	71	Air convojer (CB 1800W only)	SDM 00030072
5	Connectors cover	SDM 80000050	72	Safety switch	SDE 34201600
6	DMX panel cover	SDM 80000051	73	Safety switch support plate	SDM 00000311
7	Spring lock	SDM 80900010	74	Head box cover	SDM 00030900
8	PG 7 (complete)	SDM 80210005	75	Spacer	SDM 80400175
9	5 pin male connector	SDE 35700010	76	Head box cover grid	SDS 65000350
10	5 pin female connector	SDE 35700020	77	Nut	SDM 80000000
11	Handle screw	SDM 80000000	78	Glass protection plate	SDM 00031016
12	Connector board	SDS 62000330	80	Main lamp support plate	SDM 00030064
13	Display board support plate	SDM 00030009	80/a	Main lamp support plate (CB 1800W only)	SDM 00030065
14	Display board	SDS 62000340	81	Spacer	SDM 80401599
15	Input connector	SDE 35300010	82	Lamp socket 1200W	SDO 30000040
16	Hinge	SDM 80000000	82/a	Lamp socket (CB 1800W only)	SDO 30000050
17	Bracket stop	SDM 00000098	83	Lamp 1200W	SDO 22112003
20	Condenser complete	SDS 62990110	83/a	Lamp 1800W	SDO 22218002
20/a	Condenser complete (CB 1800W only)	SDS 62000420	84	Motor	SDE 42242032
21	Cable	SDS 60000340	85	Focus screw	SDM 90000180
22	Motor board support plate	SDM 00030022	86	Connector board	SDS 62000355
23	Motor board	SDS 62000315	87	Thermal switch	SDE 34101100
24	Motors cable complete	SDS 60000350	88	Spiral spring	SDM 80500015
24/a	Motors cable complete (CB 1800W only)	SDS 60000360	89	Parabole plate	SDM 99011205
25	Lamp cable complete	SDS 60000370	90	Cable protection	SDM 99011220
25/a	Lamp cable complete (CB 1800W only)	SDS 60000380	91	Focus screw bush	SDM 90000181
30	Bracket adhesive	SDV 90000754	92	Spacer (big)	SDM 80401240
31	Lateral cover counterplate (front)	SDM 00033388	93	Washer (big)	SDM 80000000
32	Lateral cover	SDM 89000065	94	Spacer (small)	SDM 80401028
34	Support plate	SDM 00030010	95	Washer (small)	SDM 80000000
35	Lateral cover counterplate (rear)	SDM 00033388	98	Focus screw nut	SDM 90000182
36	Connector board	SDS 62000360	99	Parabole	SDO 60000050
37	Friction	SDM 80320032	100	Parabole nut	SDM 80410010
38	Dust proof filter	SDM 00030030	101	Motor support plate	SDM 00030066
39	Dust proof filter support (dx)	SDM 00030004	101/a	Motor support plate (CB 1800W only)	SDM 00030070
39/a	Dust proof filter support (sx)	SDM 00030006	114	Lamp fan	SDE 10217010
40	Tab (dx)	SDM 00030013	120	Motor panel	SDM 99011230
40/a	Tab (sx)	SDM 00030008	121	Wire	SDM 85900010
41	Bracket	SDM 00030050	122	Nut	SDM 80000000
42	Air convojer	SDM 89000075	123	Pulley	SDM 04000042
43	DMX panel adhesive	SDV 00030010	124	Spacer	SDM 80400027
43/a	Configuration panel adhesive	SDV 90000775	125	Motor	SDE 42142070
44	Head stop support	SDM 00030012	126	Motor pulley	SDM 80400044
45	Head stop	SDM 90000185	127	Spacer	SDM 80400180
46	Head fan support	SDM 00030007	128	Wire fixing	SDM 80000000
47	Head fan (big)	SDE 10218030	129	Wire fixing screw	SDM 80000000
49	Wire protection gum	SDM 80000000	130	Screw (short)	SDM 80000000
50	Fan support	SDM 00030005	131	Screw (long)	SDM 80000000
51	Fan	SDE 10217010	133	Lower panel dimmer complete R	SDS 65990181
52	Connector board	SDS 62000380	134	Lower panel dimmer complete L	SDS 65990182
54	Igniter	SDE 28645000	135	Lower panel magenta complete R	SDS 65990183
55	Magnetic ballast complete	SDE 28741210	136	Lower panel magenta complete L	SDS 65990184
55/a	Magnetic ballast complete (CB 1800W only)	SDE 28741800	137	Upper panel yellow complete R	SDS 65990186
59	Lamp cover	SDM 00030031	138	Upper panel yellow complete L	SDS 65990185
60	Lamp cover nut	SDM 90110030	139	Upper panel cyan complete R	SDS 65990187
63	Spacer	SDM 80401219	140	Upper panel cyan complete L	SDS 65990188
64	Hinge	SDM 80000000			
65	Head box	SDM 00030100			
66	Head cylindric support	SDM 80700075			

Exploded view

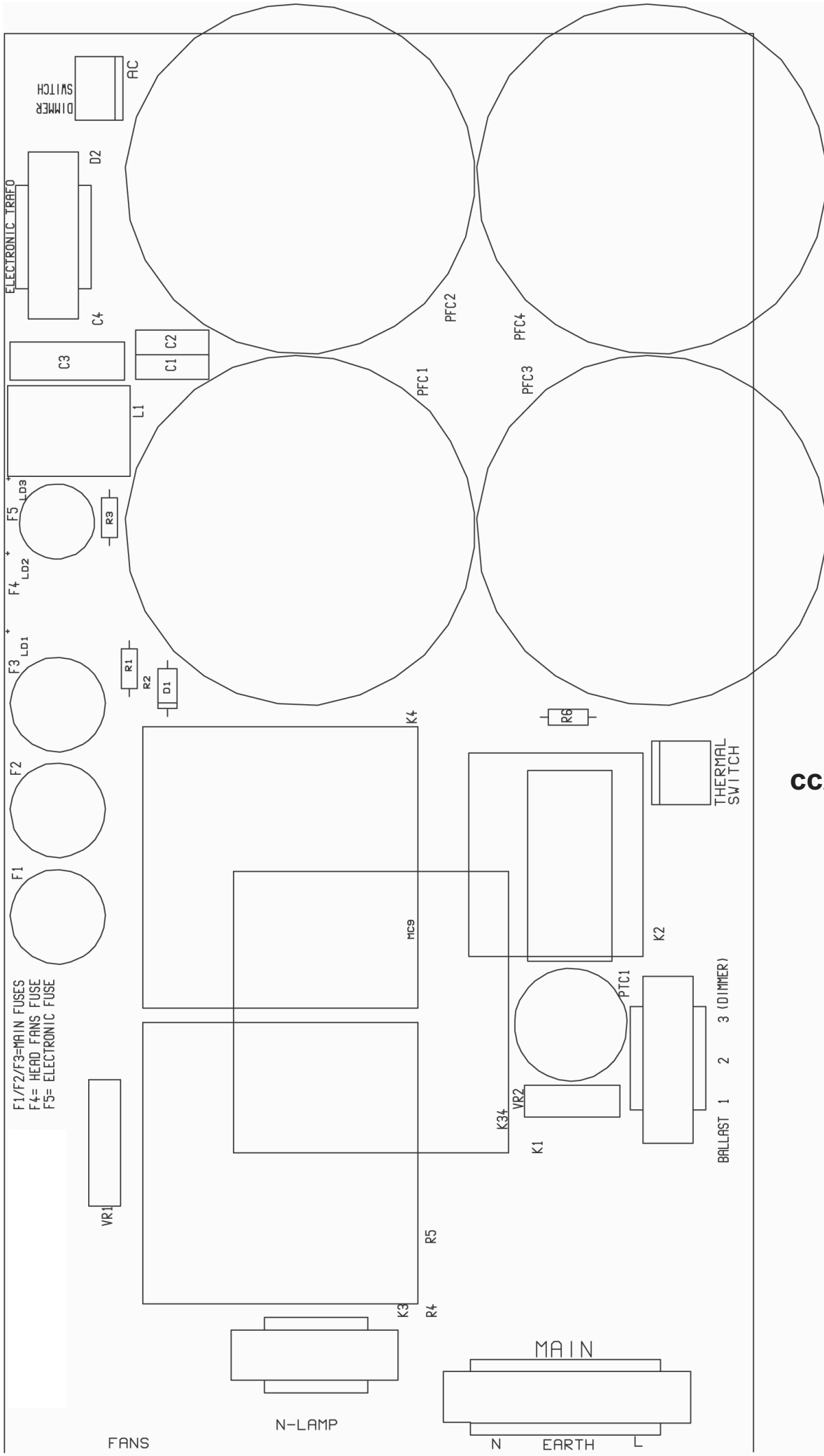




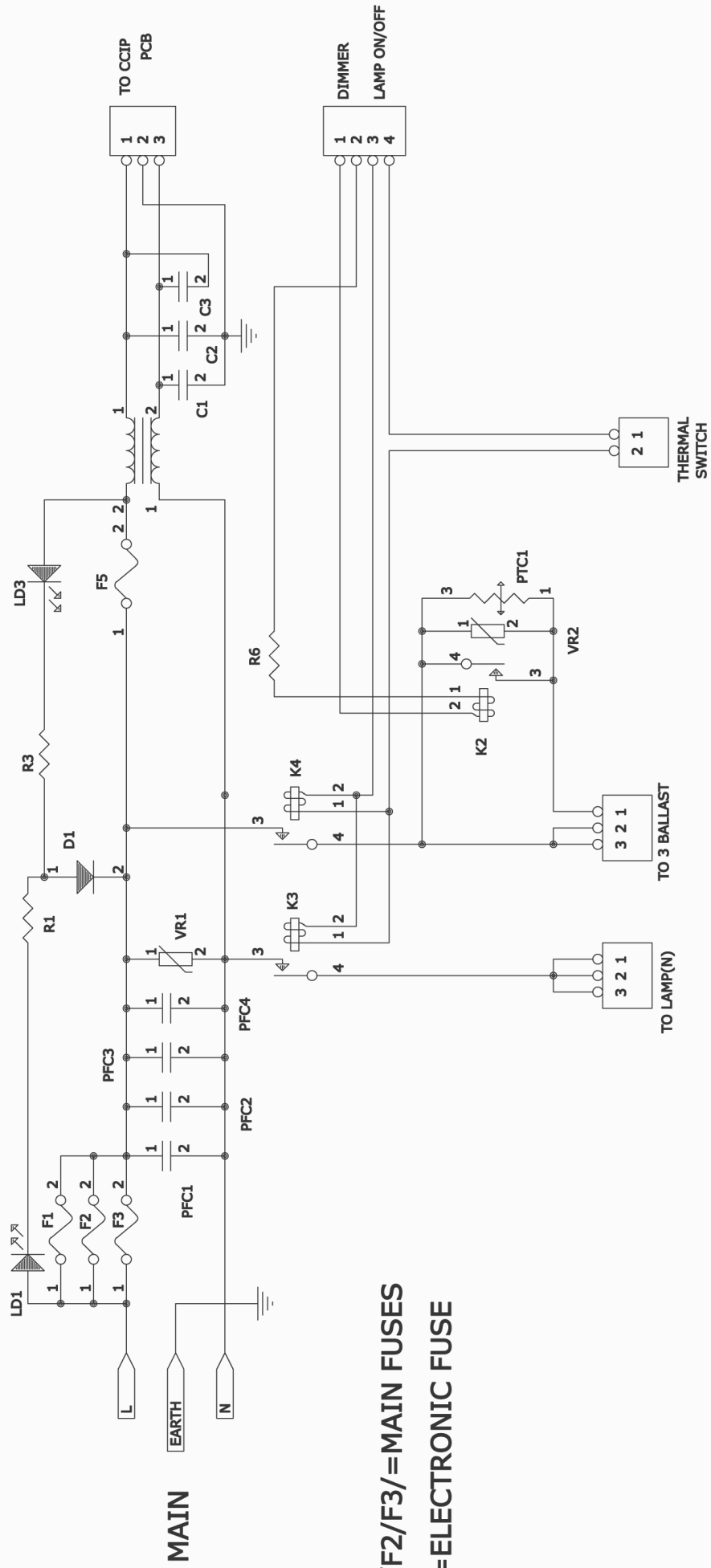
HEAD 1



HEAD 2



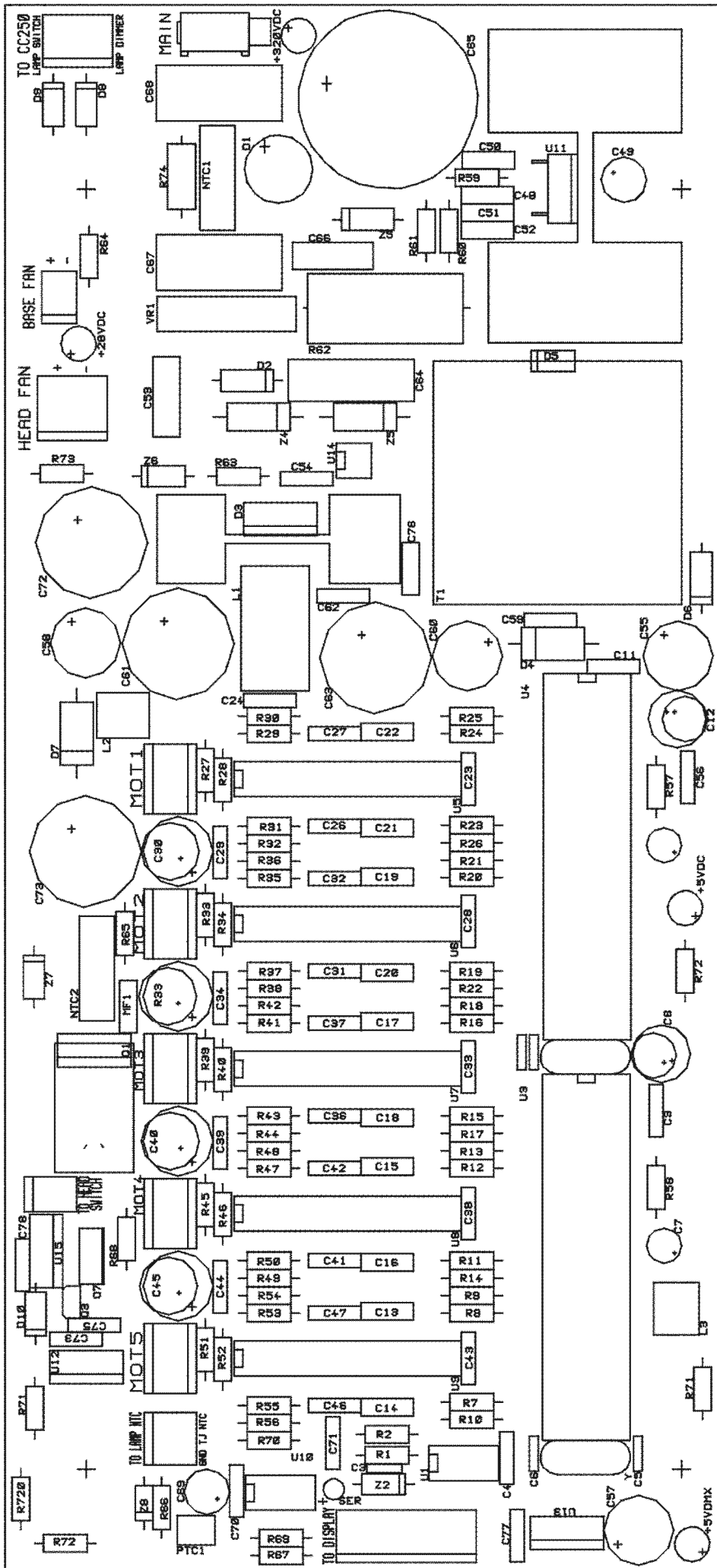
cc250ip



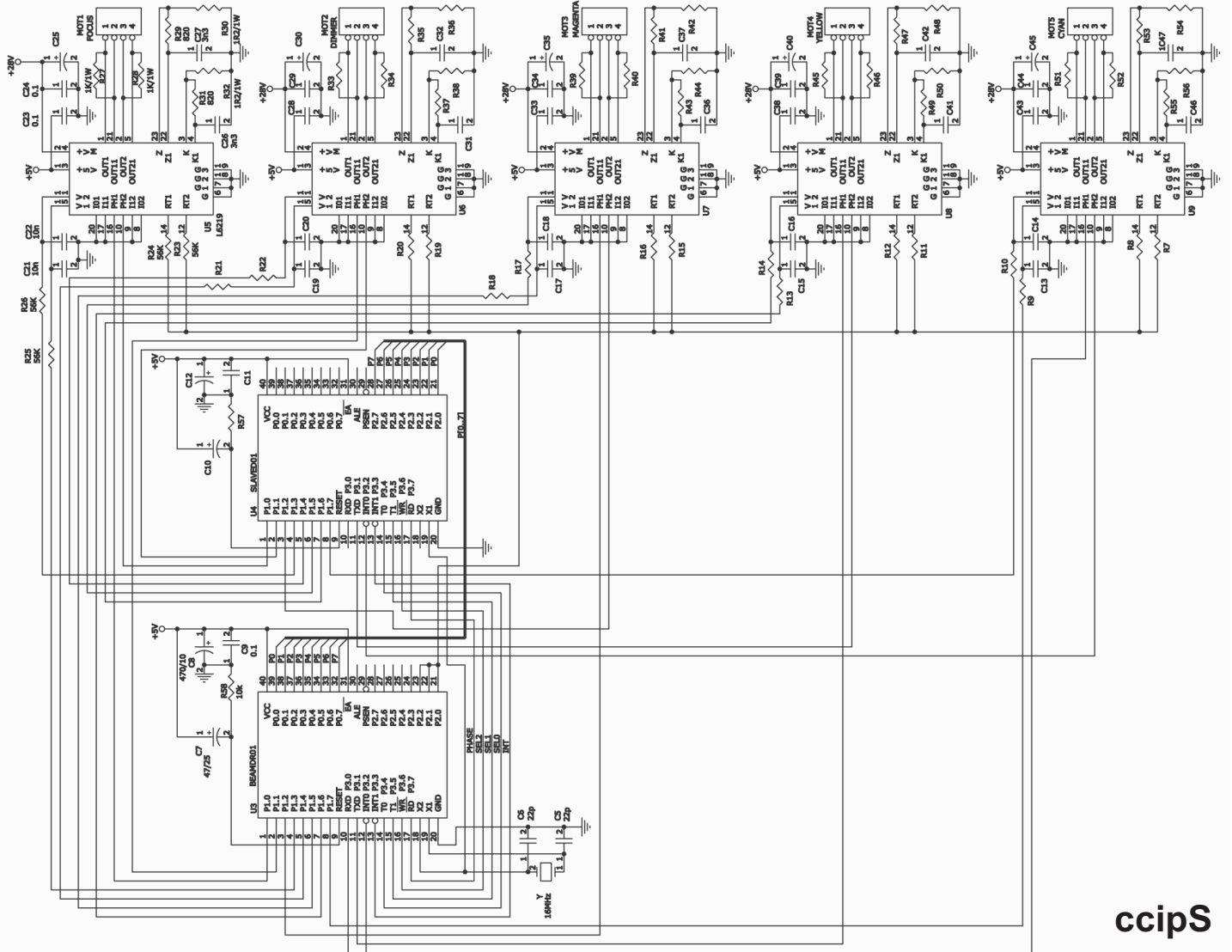
MAIN

F1/F2/F3/=MAIN FUSES
F5=ELECTRONIC FUSE

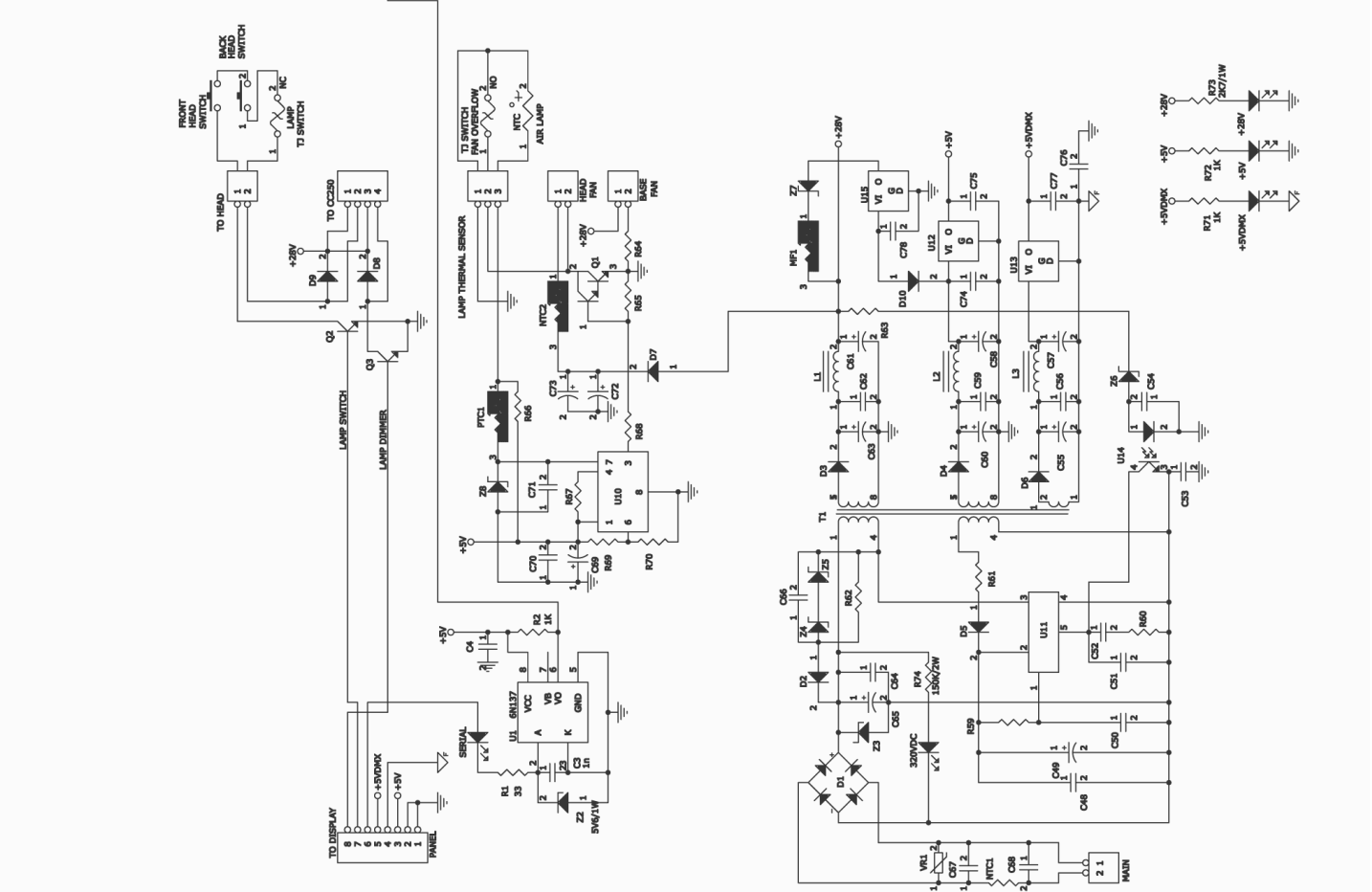
cc250ipS

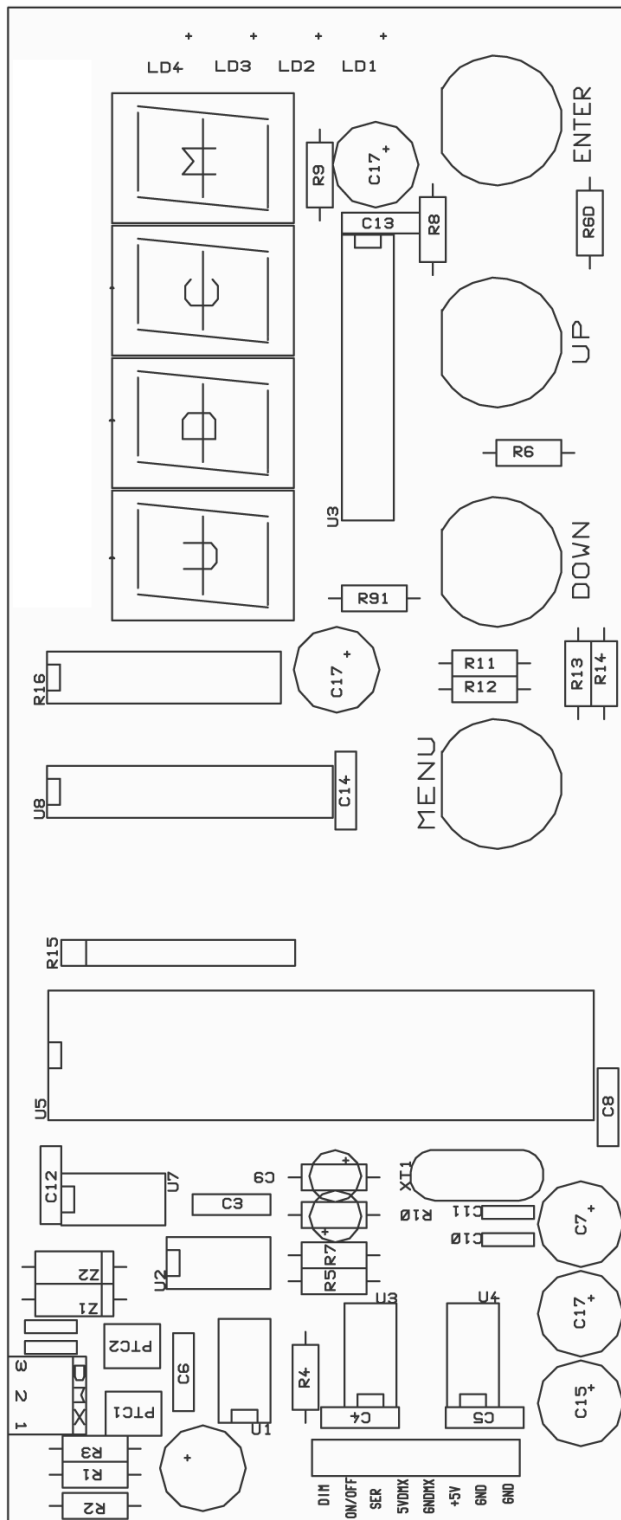


ccip

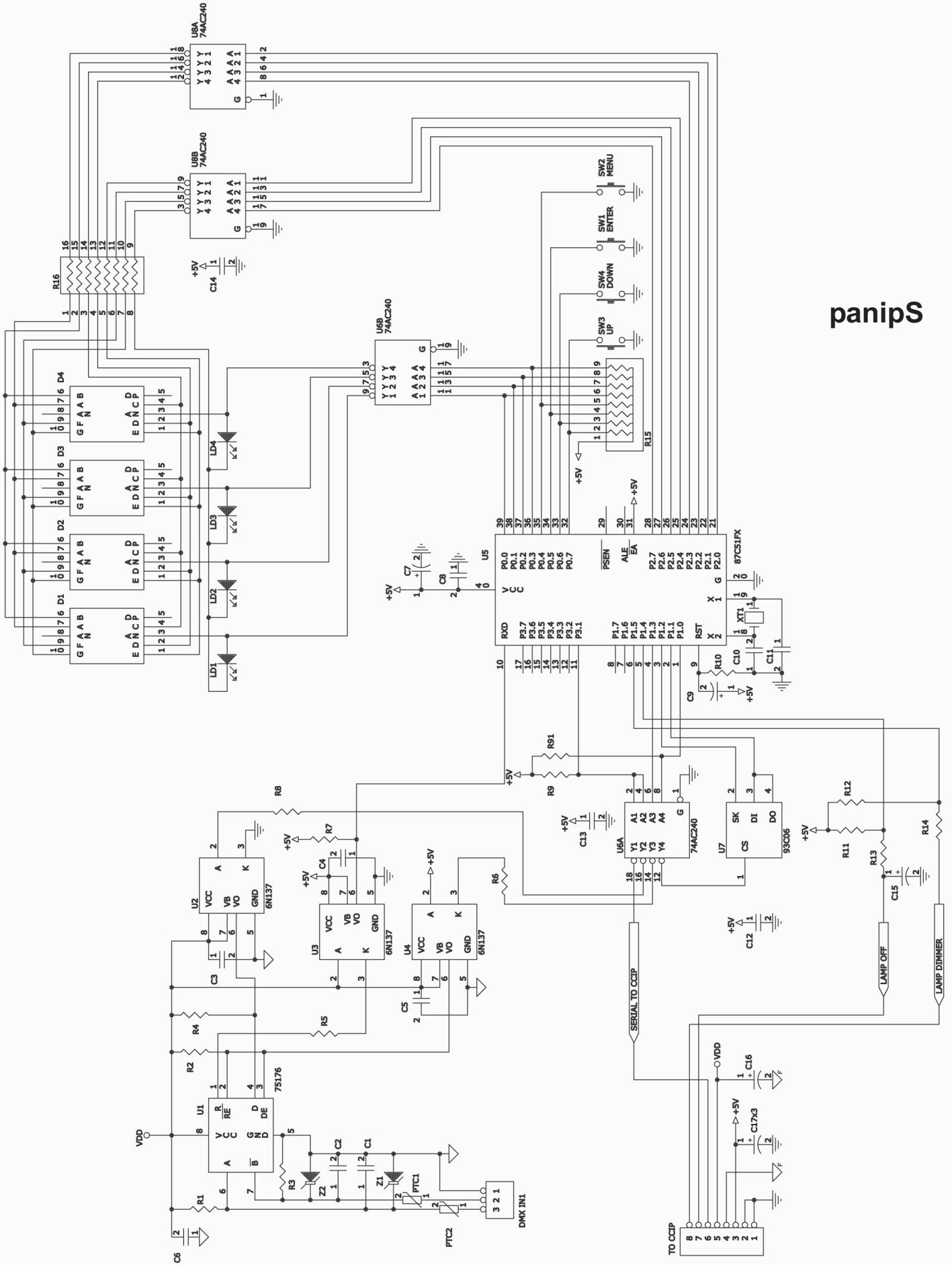


ccipS





panip



panipS