

SIRIO 1800DV/2500DV

TECHNICAL REFERENCE

- Code 02B012 SIRIO 1800DV
- Code 02B013 SIRIO 2500DV

N°	PARTS DESCRIPTION	CODE NUMBER
1	Base box	SDS 65000310
2	Lamp cable complete (only for 1800)	SDS 60000320
2/a	Lamp cable complete (only for 2500 H.P)	SDS 60000310
3	5 pin female DMX connector	SDE 35700020
4	5 pin male DMX connector	SDE 35700010
5	5 pin connectors cover	SDM 80000050
6	DMX panel cover	SDM 80000051
7	Spring lock	SDM 80900010
8	PG (small)	SDM 80210007
9	Input connector (only for 1800)	SDE 35300010
9/a	Input connector (only for 2500 H.P)	SDE 35221000
10	Condenser complete (only for 1800)	SDS 62980160
10/a	Condenser complete (only for 2500 H.P)	SDS 62000330
11	Connector board	SDS 62000330
12	Handles	SDM 90100043
13	PG (big)	SDM 80210007
14	Igniter (only for 1800)	SDE 28645000
15	Thermal switch	SDE 34100950
16	Hinge	SDM 80000000
17	Magnetic ballast complete (only for 1800)	SDE 28741800
17/a	Magnetic ballast complete (only for 2500 H.P)	SDE 28742500
18	Bracket	SDM 00030050
20	Cable (complete)	SDS 60000330
21	Motors board support plate	SDM 00030022
22	Display board support plate	SDM 00030009
23	Display board	SDS 62000340
24	Motors board	SDS 62000310
25	Lateral cover counterplate	SDM 00033388
26	Bracket stop	SDM 00030098
27	Air convoyer	SDM 89000075
28	Mammut	SDM 80000000
29	Dust proof filter support (sx)	SDM 00030004
29/a	Dust proof filter	SDM 00030030
30	Tab (sx)	SDM 00030015
31	Dust proof filter support (dx)	SDM 00030004
32	Tab (dx)	SDM 00030013
33	Fan plate	SDM 00030005
34	Fan base box (small)	SDE 10217010
35	Fan head (big)	SDE 10218030
36	Friction	SDM 80320032
37	Fan support	SDM 00030007
38	Cable	SDS 62000340
39	Lateral cover	SDM 89000065
40	Gum	SDM 80000000
41	Menu panel adhesive	SDV 00030010
42	Head stop support	SDM 00030012
43	Head stop	SDM 80000185
44	Base plate	SDM 00030014

BASE

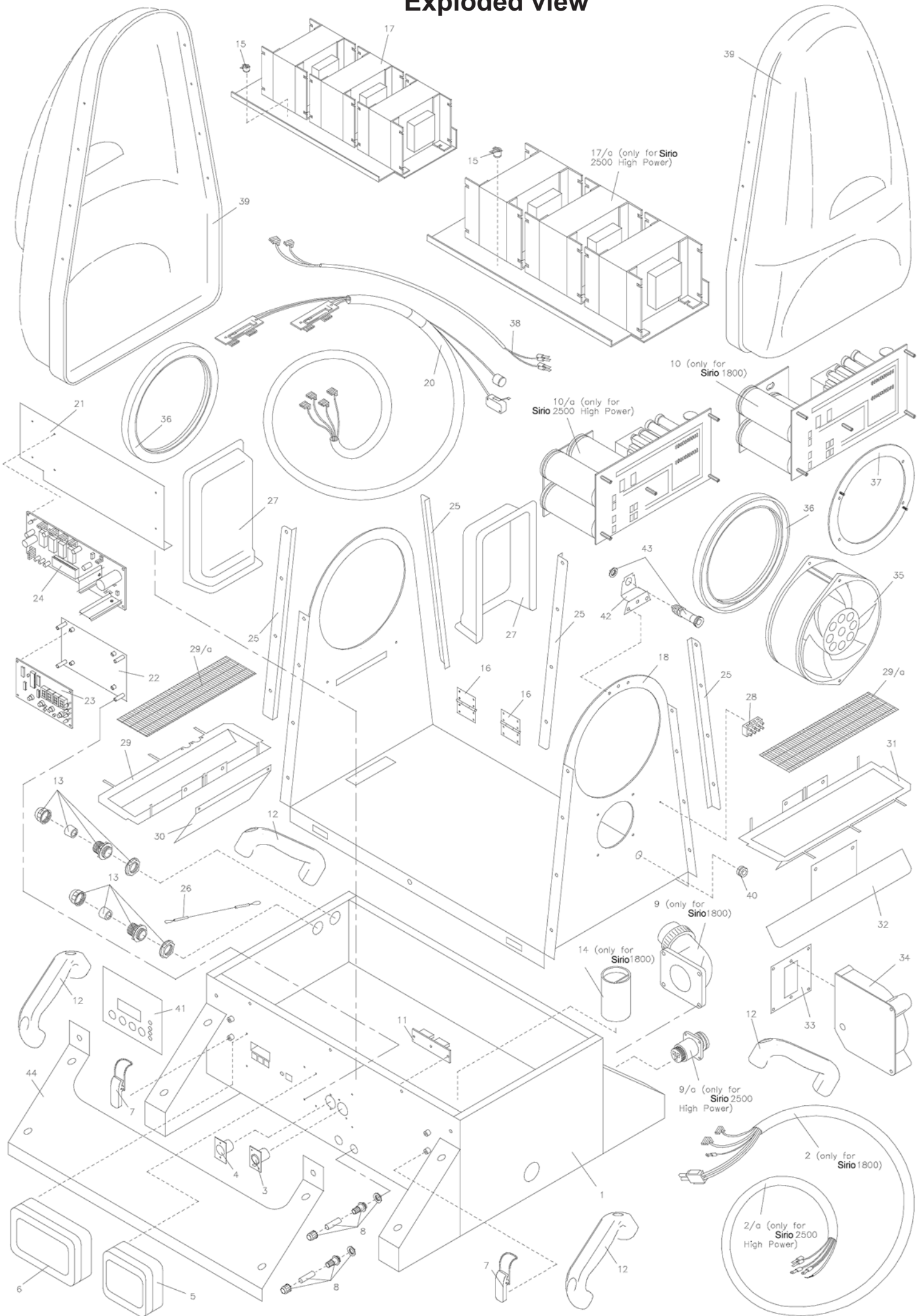
	PARTS DESCRIPTION	CODE NUMBER
60	Nut	SDM 80000000
88	Barn door support plate	SDM 98011010
89	Horizontal barn door	SDM 98011020
90	Vertical barn door	SDM 98011030
91	Screw	SDM 80420009
110	Haed	SDM 00030100
111	Spring-lock	SDM 80900010
112	Safety switch	SDE 34201600
113	Main lamp support plate	SDM 00030064
114	Lamp holder plate (dx)	SDM 98010008
115	Lamp lock plate (dx)	SDM 98010010
116	Lamp holder counterplate	SDM 98010009
117	Lamp holder plate (sx)	SDM 98010108
118	Lamp lock plate (sx)	SDM 98010110
119	Spiral spring	SDM 80510160
120	Spacer	SDM 80400170
121	Counterplate	SDM 00032245
122	Lateral shaped reflector	SDM 00032243
123	Lateral plane reflector	SDM 00032244
124	Reflector (small)	SDM 98010081
125	Lateral reflector support	SDM 98010087
126	Thermal switch	SDE 34101100
127	Main reflector	SDM 00037771
128	Lamp	SDO 22225010
129	Support plate	SDM 00030052
130	Insulator	SDM 80000000
131	Spacer	SDM 80401219
132	Nut	SDM 90110030
133	Safety switch plate	SDM 00030011
134	Protection wire plate	SDM 00030010
135	Head cylindric support	SDM 80700075
136	Degrees wheel	SDM 00030025
137	P. C. connector	SDS 62000360
138	Spacer	SDM 80000000
139	Hinge	SDM 80000000
140	Head box cover	SDM 00031000
141	Rear box cover (only for 1800)	SDM 00030032
141/a	Rear box cover (only for 2500 H.P)	SDM 00030031
142	Thermal switch	SDE 34100902
143	Igniter (only for 2500 H.P)	SDS 62000370
144	Spacer gum (only for 2500 H.P)	SDM 80000000
145	Spacer (only for 2500 H.P)	SDM 80000000
146	Igniter cover (only for 2500 H.P)	SDM 90200030
147	Igniter cover gum (only for 2500 H.P)	SDM 90200040

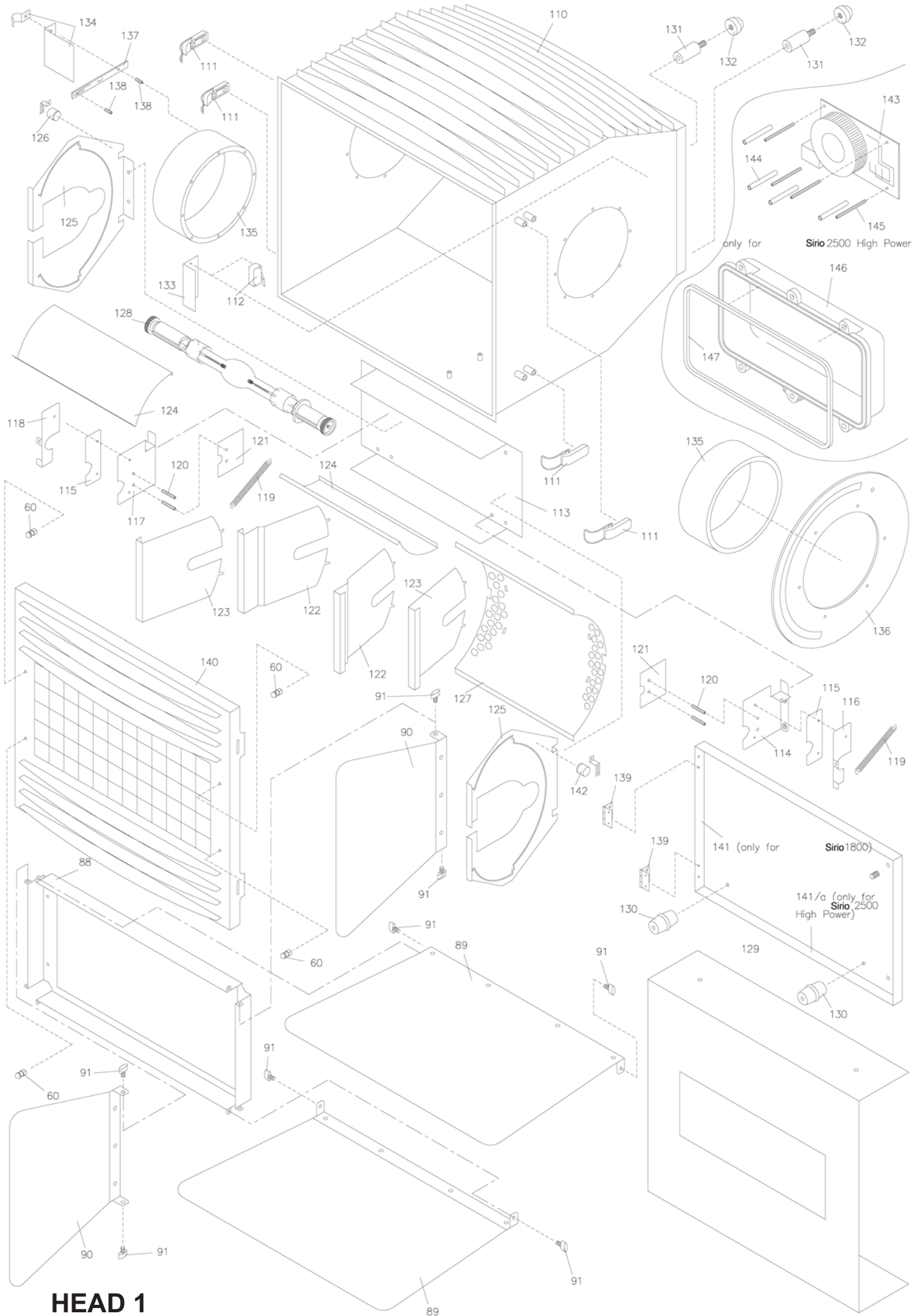
HEAD 1

	PARTS DESCRIPTION	CODE NUMBER
61	Stepper motor	SDE 42142070
62	Cable pulley	SDM 80400043
63	Coarse fine	SDM 80000000
64	Pulley	SDM 80400042
65	Spacer	SDM 80400027
66	Nut	SDM 80000000
67	CYM panel	SDM 98010050
68	Wire lock	SDM 98010011
69	Wire spacer 1.2	SDM 98010112
70	Wire spacer 1.5	SDM 98010012
71	Upper yellow blade complete	SDS 65980190
72	Lower yellow blade complete	SDS 65980191
73	Upper cyan blade complete	SDS 65980192
74	Lower cyan blade complete	SDS 65980193
75	Lower megenta blade complete	SDS 65980194
76	Upper magenta blade complete	SDS 65980195
77	Dimmer blade unshaped	SDS 65980196
78	Dimmer blade shaped	SDS 65980197
79	Steel wire	SDS 65980170
82	CYM panel	SDM 98010050

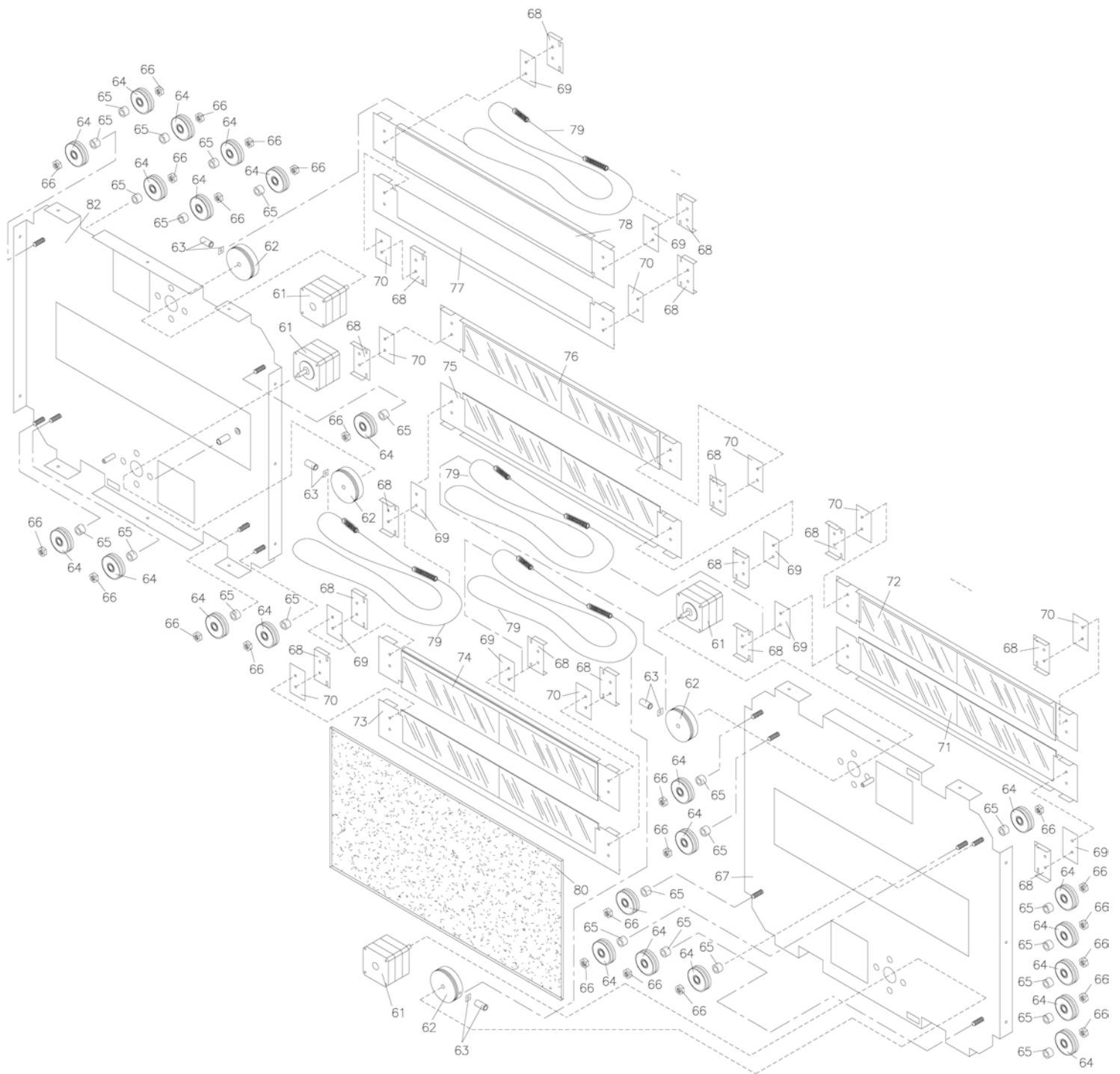
HEAD 2

Exploded view

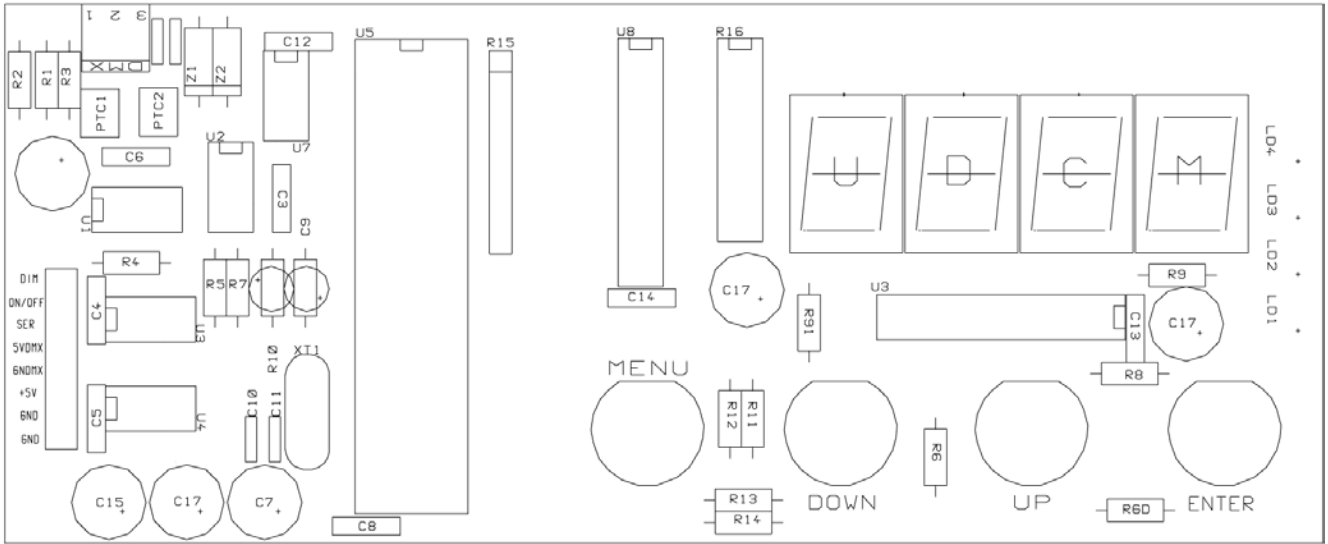




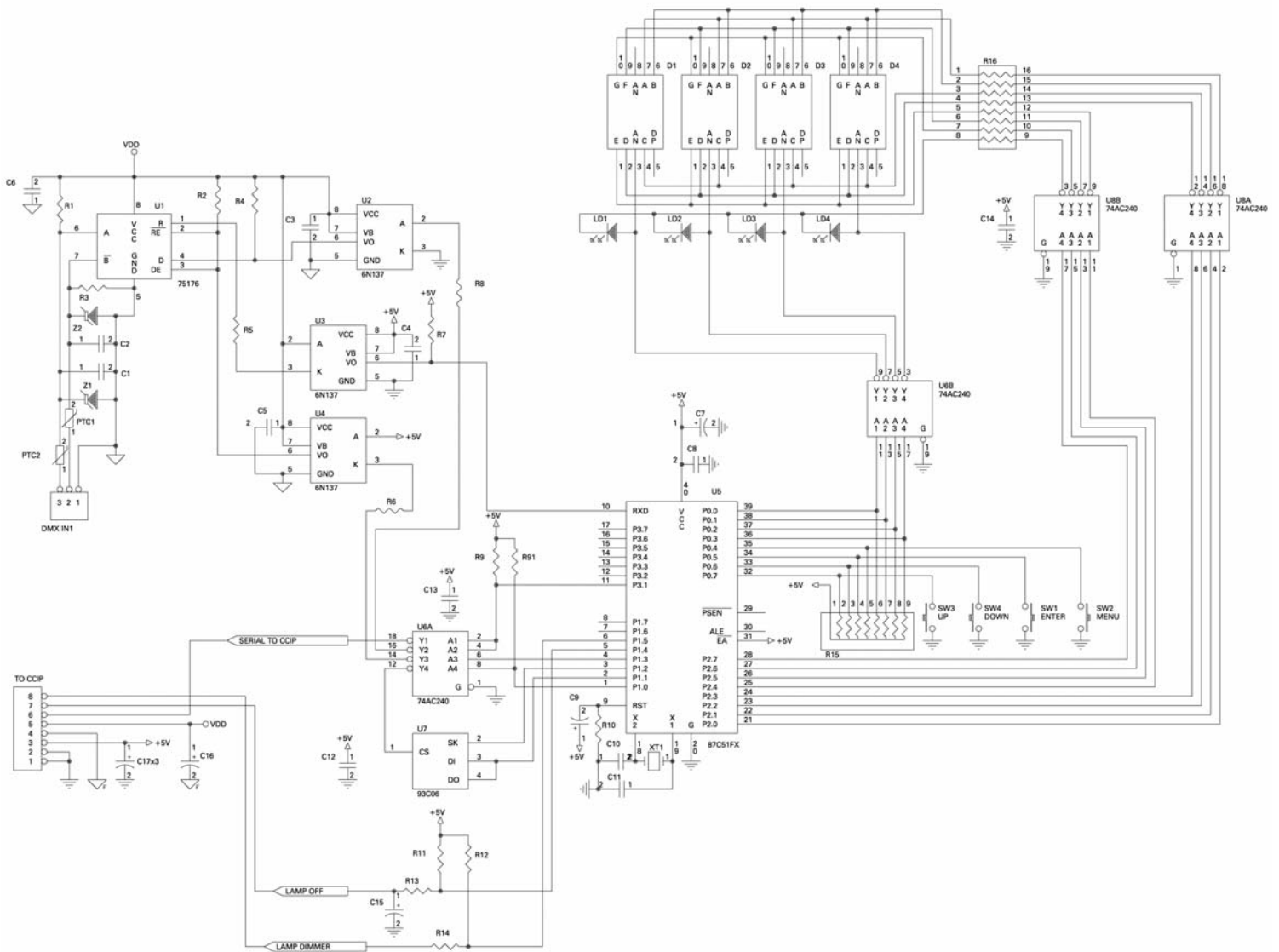
HEAD 1



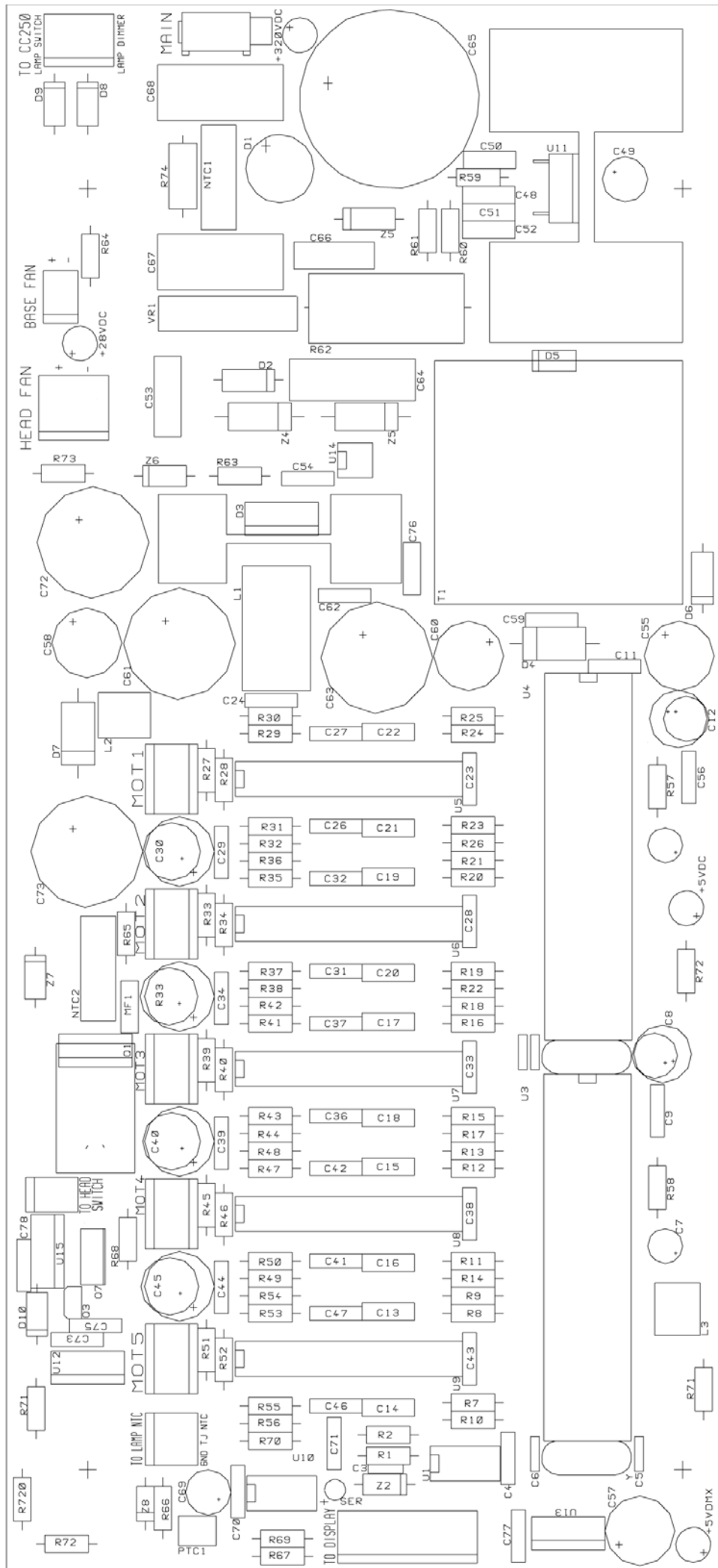
HEAD 2



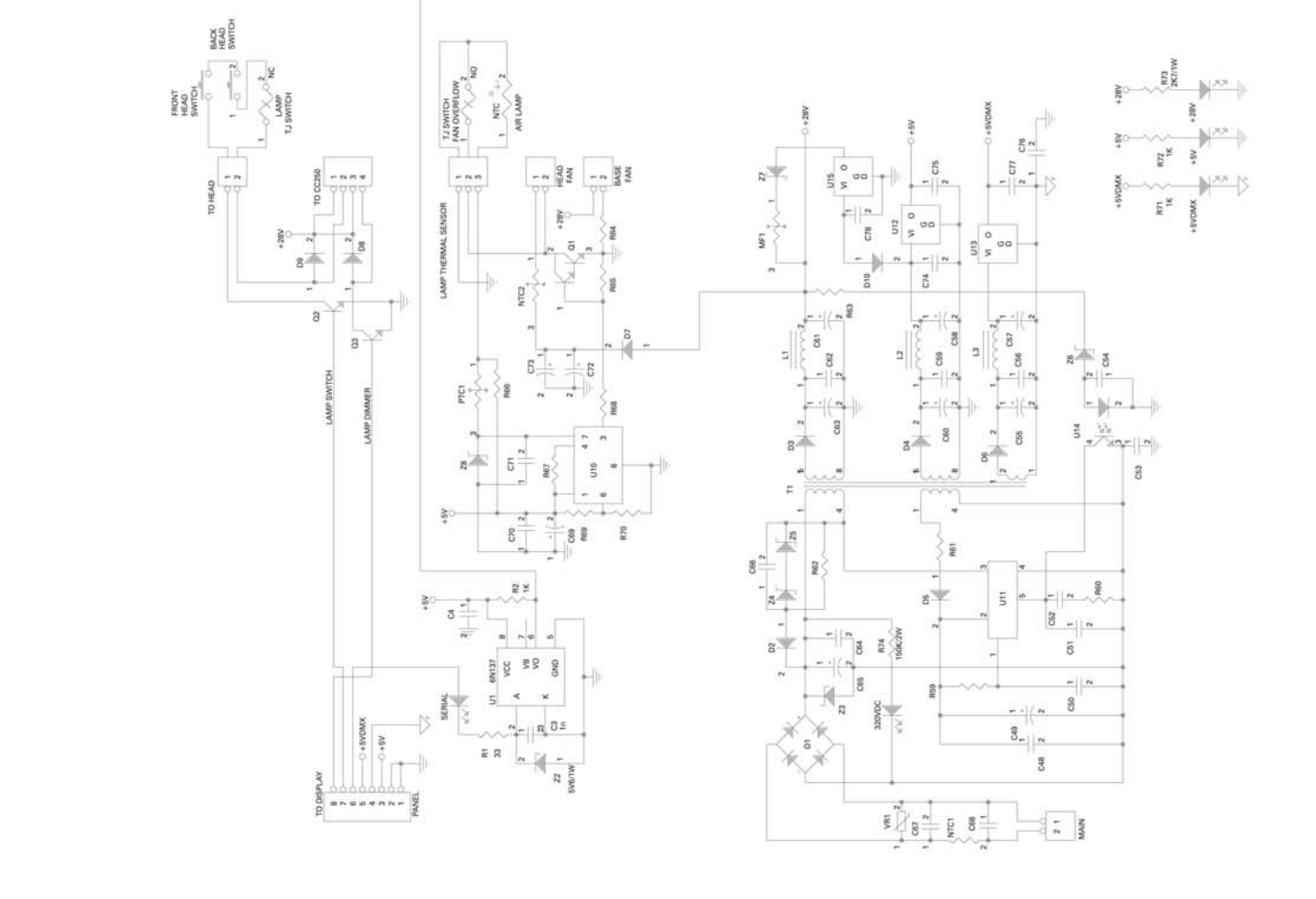
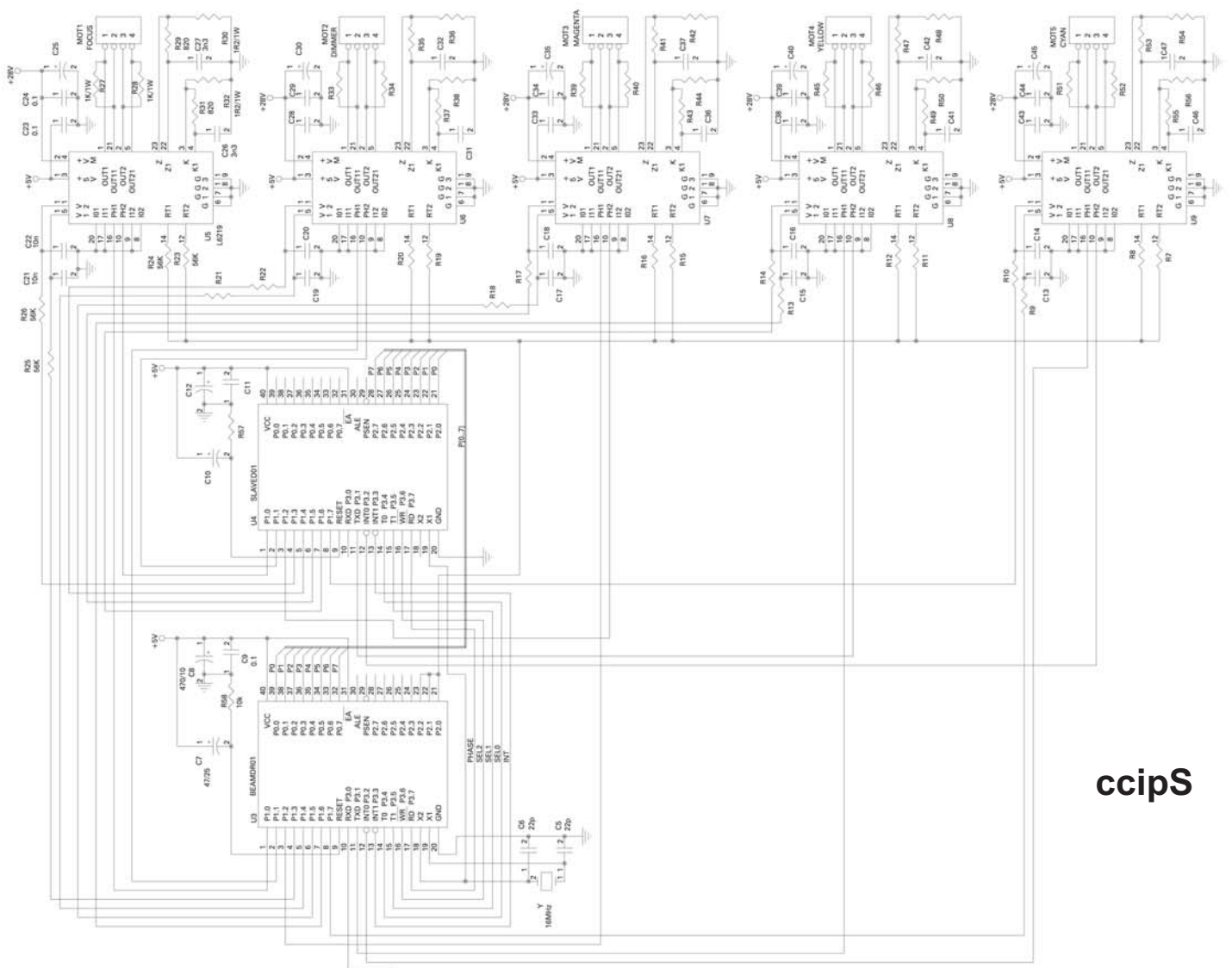
panip



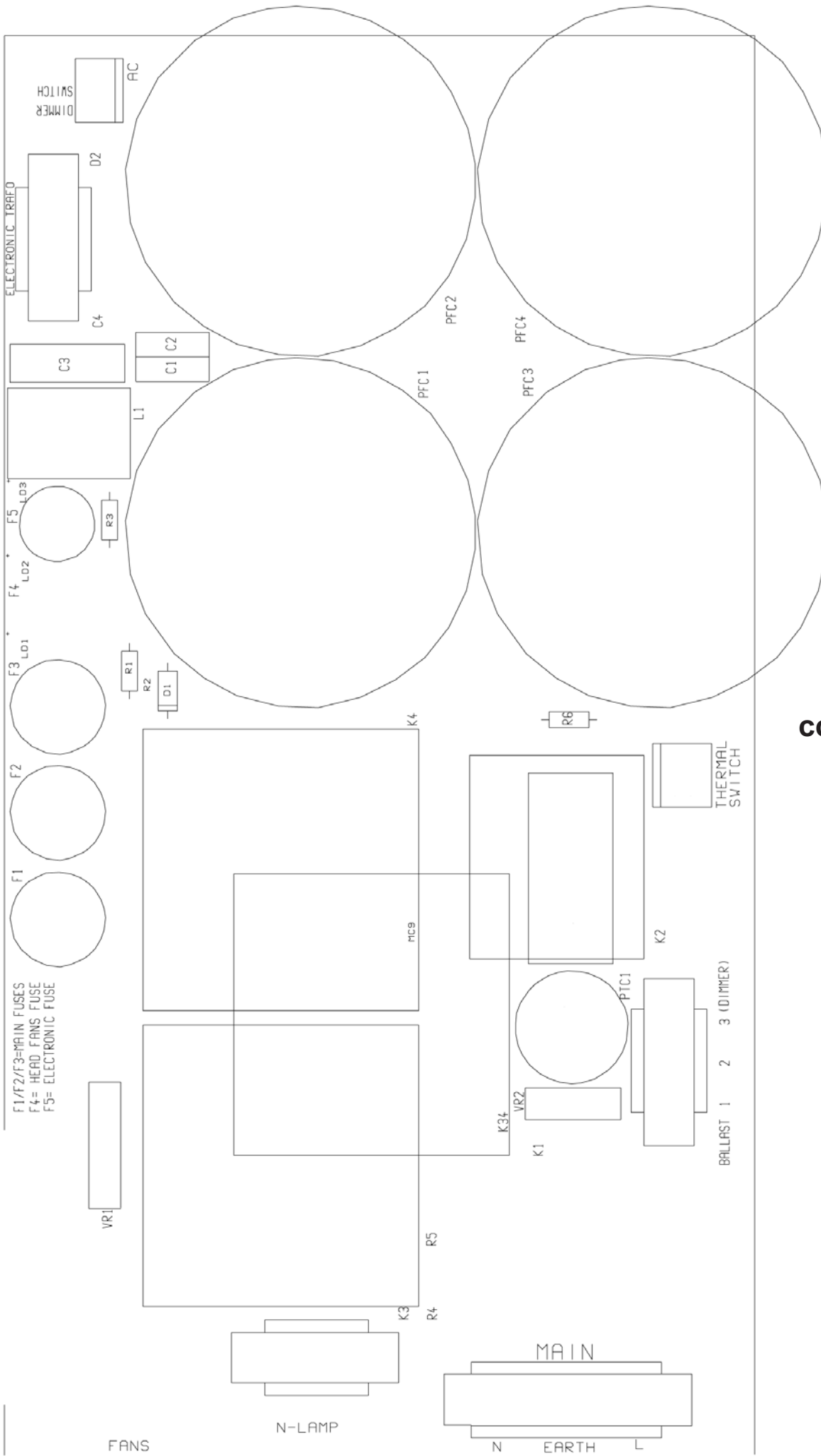
panipS



ccip

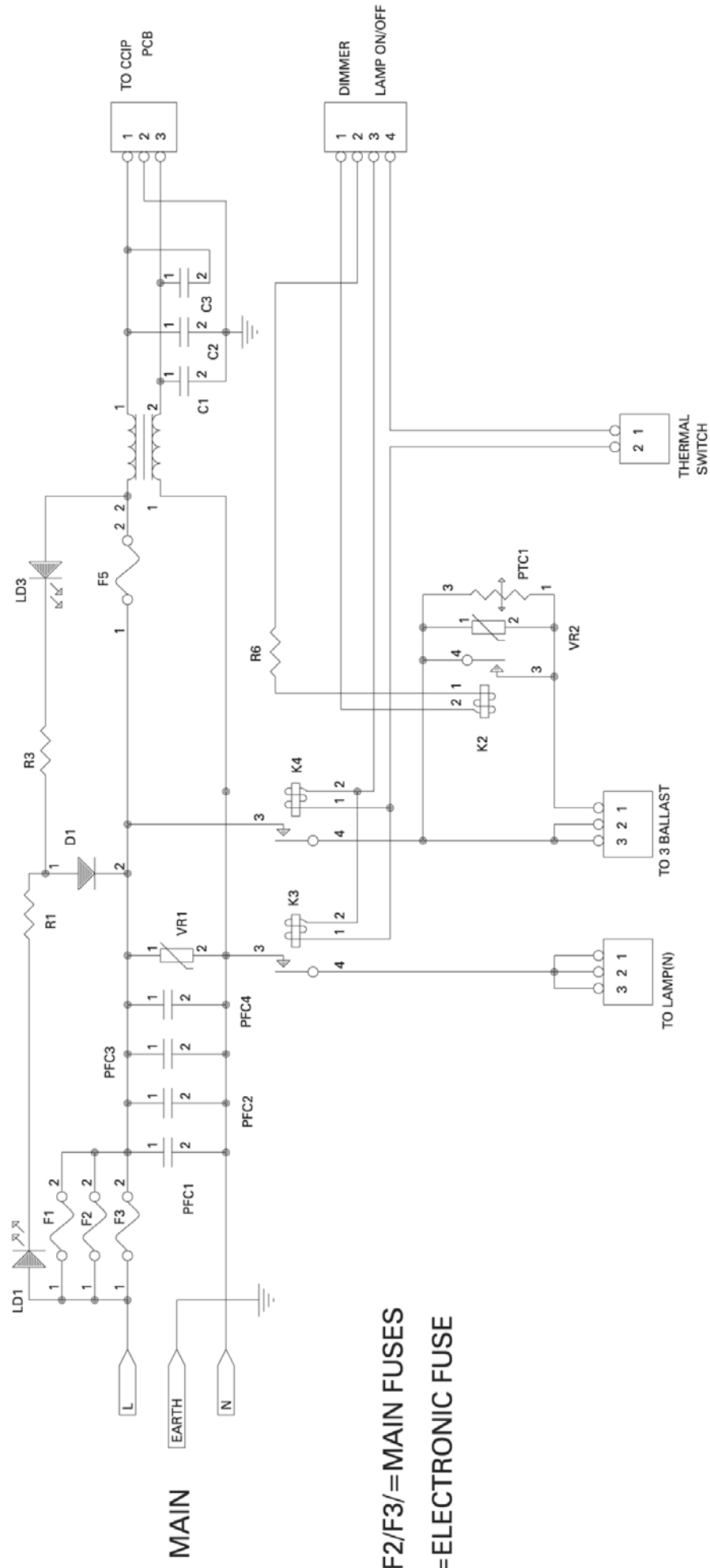


ccipS



cc250ip

CC250/IP MAIN POWER DIAGRAM



F1/F2/F3/=MAIN FUSES

F5=ELECTRONIC FUSE